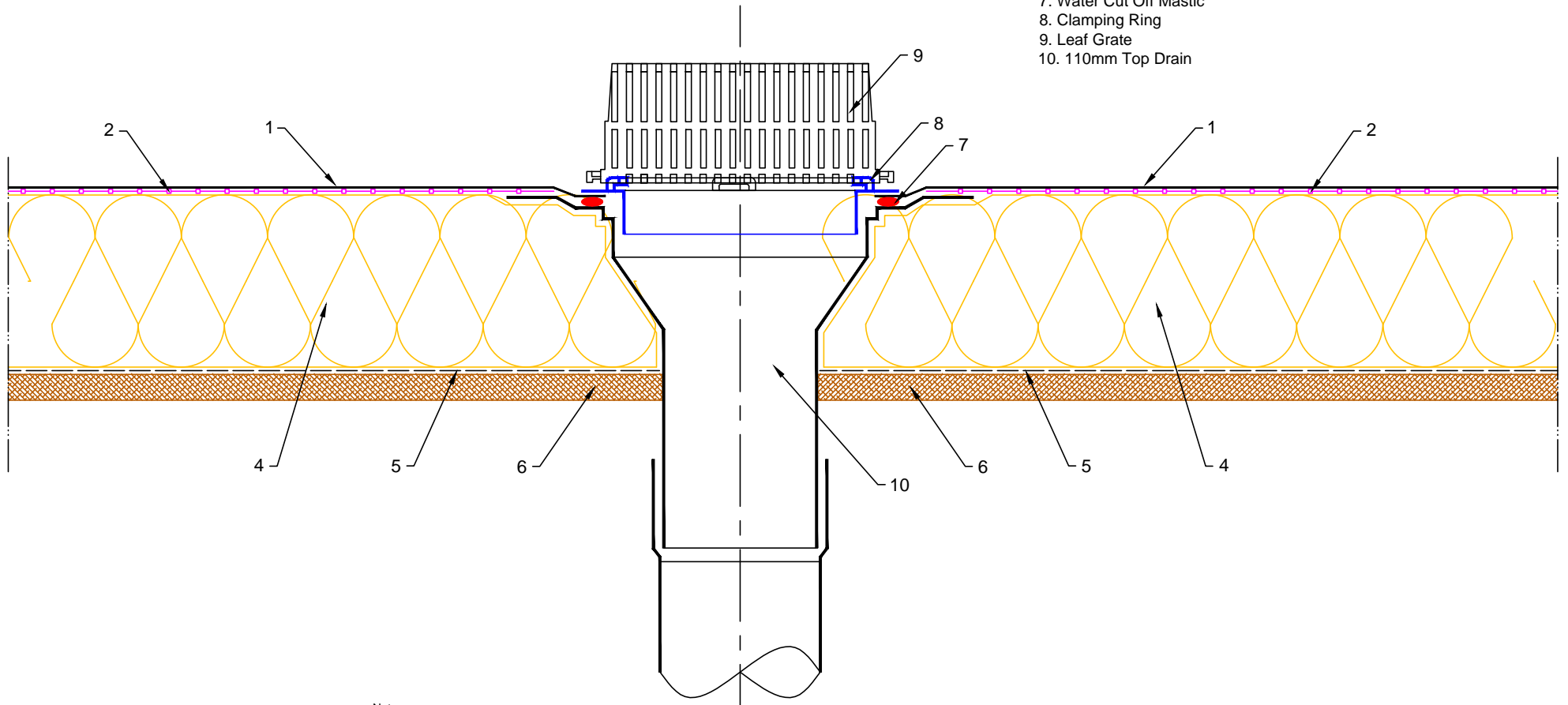


1. ClassicBond EPDM Membrane
2. ClassicBond Decking Adhesive (See Notes)
3. ClassicBond Bonding Adhesive
4. Suitable thermal insulation, thickness determined by U-value
5. Vapour Control Layer (VCL)
6. Structural decking
7. Water Cut Off Mastic
8. Clamping Ring
9. Leaf Grate
10. 110mm Top Drain



Notes:

1. This detail was prepared to serve as a guideline representing typical detailing conditions and illustrate the correct application of ClassicBond products only. It may be necessary to modify this detail in whole or part in accordance with specific project conditions, design or requirements.
2. Acrylic Decking Adhesive is for timber substrates only, all other surfaces use ClassicBond Bonding Adhesive.
3. Install a continuous bead of water cut off mastic around drain



Title 110mm TOP DRAIN	
Product CB-D-2	

A	03.02.14	PRODUCTION Issue
Rev	Date	Comments

Drawn MFO	Checked DW	Approved DW	Scale 1: 4@A4	Date 03.02.14
Status PRODUCTION				
Drawing No: CB/D/2				Rev: A