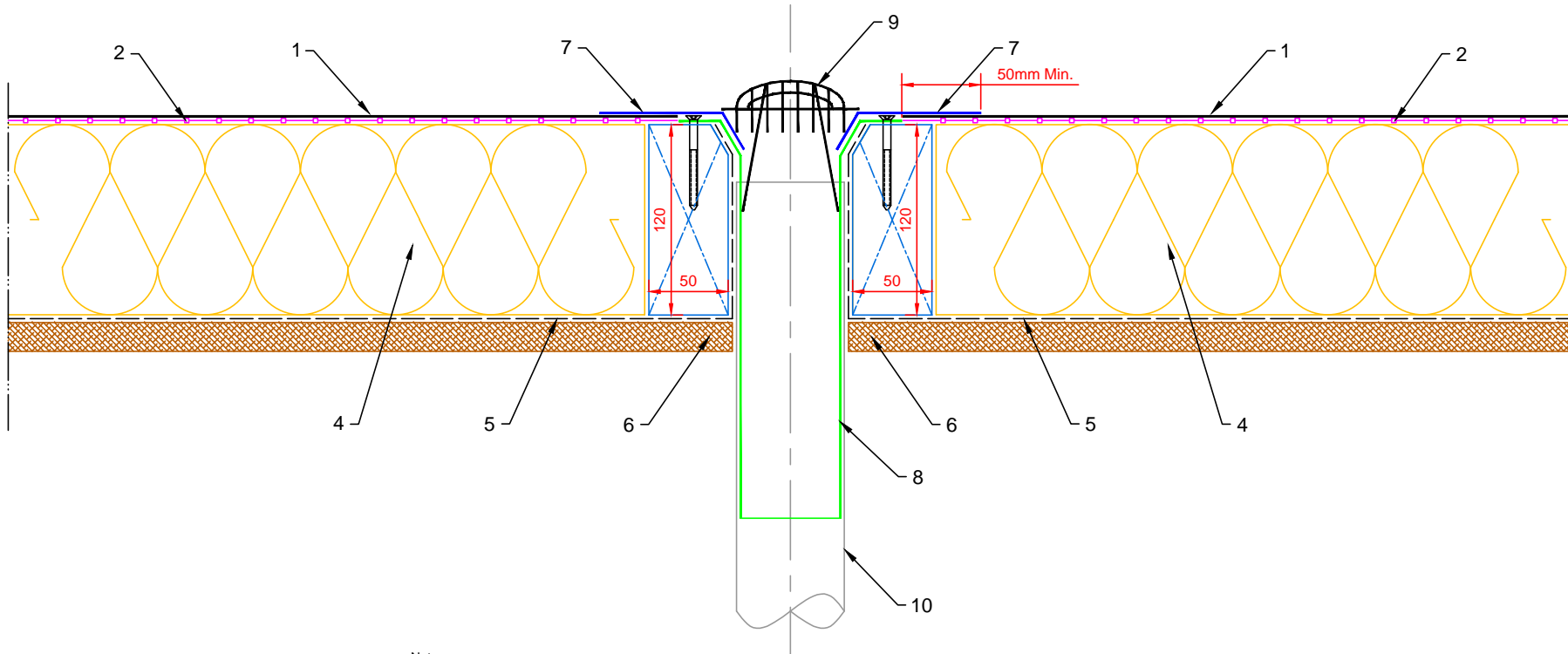


1. ClassicBond EPDM Membrane
2. ClassicBond Decking Adhesive (See Notes)
3. ClassicBond Bonding Adhesive
4. Suitable thermal insulation, thickness determined by U-value
5. Vapour Control Layer (VCL)
6. Structural decking
7. 225mm PS Uncured Elastoform Flashing
8. ClassicBond anti back up drain
9. Leaf Grate
10. 68mm rain water pipe (by others)



Notes:

1. This detail was prepared to serve as a guideline representing typical detailing conditions and illustrate the correct application of ClassicBond products only. It may be necessary to modify this detail in whole or part in accordance with specific project conditions, design or requirements.
2. Acrylic Decking Adhesive is for timber substrates only, all other suitable surfaces use ClassicBond Bonding Adhesive.
3. This outlet is designed for use with a 68mm rain water pipe.



Title 68mm ANTI BACK UP DRAIN	
Product CB-D-3	
Rev	Date
A	03.02.14

PRODUCTION Issue	
Comments	

Drawn MFO	Checked DW	Approved DW	Scale 1: 4@A4	Date 03.02.14
Status PRODUCTION				
Drawing No: CB/D/3				Rev: A