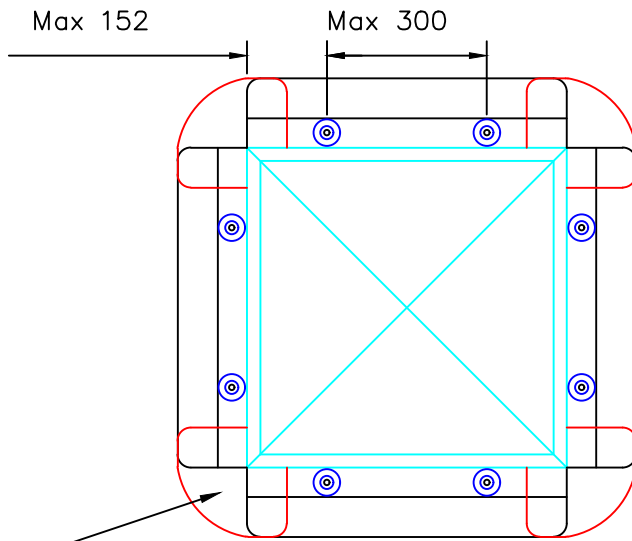
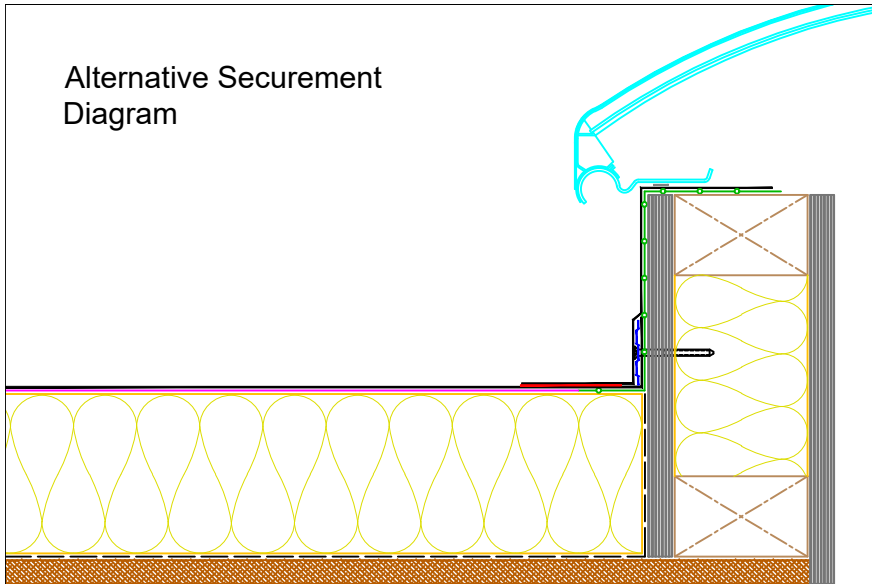


Alternative Securement Diagram



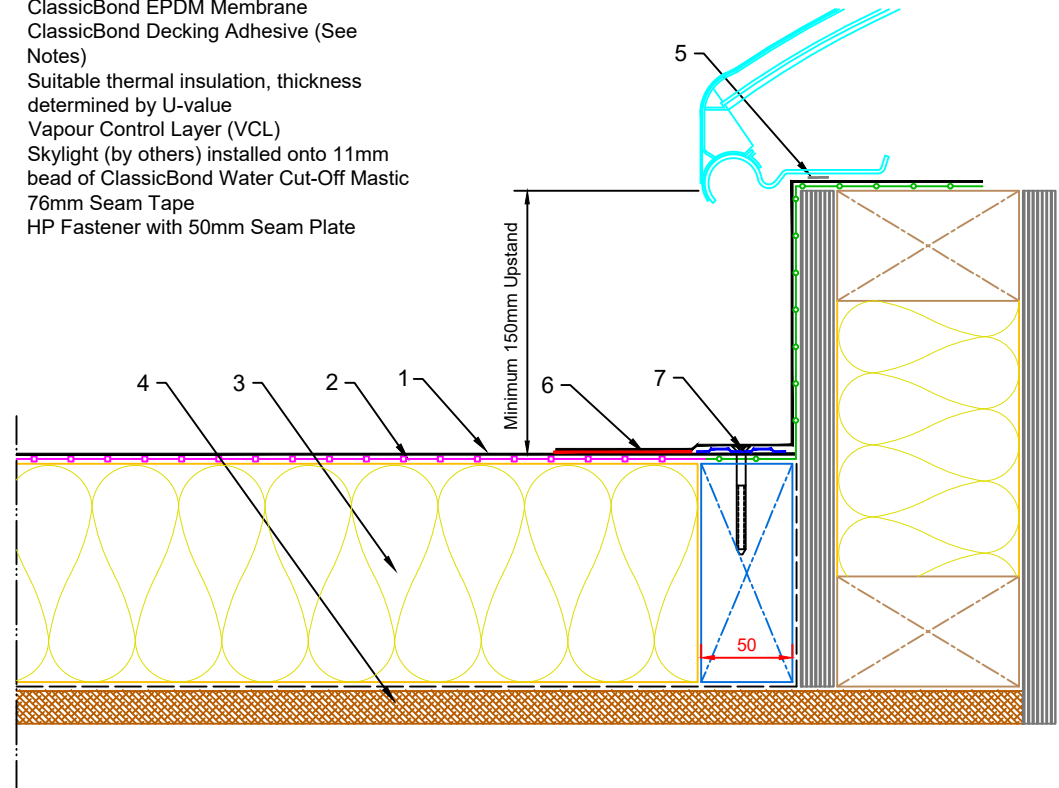
External Corner formed using ClassicBond 225mm PS Uncured Flashing Tape, conforming to standard design principals. See Classic Bond Installation Guide for further details

Notes:

1. This detail was prepared to serve as a guideline representing typical detailing conditions and illustrate the correct application of ClassicBond products only. It may be necessary to modify this detail in whole or part in accordance with specific project conditions, design or requirements.
2. All Pressure Sensitive Plates are to be secured using HP fasteners at a maximum of 300mm centres.
3. Lap Sealant should be applied to 228mm PS Tape at high water flow areas

Key:

1. ClassicBond EPDM Membrane
2. ClassicBond Decking Adhesive (See Notes)
3. Suitable thermal insulation, thickness determined by U-value
4. Vapour Control Layer (VCL)
5. Skylight (by others) installed onto 11mm bead of ClassicBond Water Cut-Off Mastic
6. 76mm Seam Tape
7. HP Fastener with 50mm Seam Plate



Title
SKYLIGHT KERB DETAIL, DECK
MECHANICAL FASTENER

Product
CB

Drawn	Checked	Approved	Scale	Date
CJB			1: 4@A4	31.01.17

Status

Drawing No:
CB/Skylight Kerb
76mm PS SecurTAPE

Rev:

Rev	Date	Comments