

1. ClassicBond EPDM Membrane
2. ClassicBond Decking Adhesive
3. ClassicBond Bonding Adhesive
4. Suitable thermal insulation, thickness determined by U-value
5. Vapour Control Layer (VCL)
6. Structural decking
7. Suitable cavity bridge
8. Thermal insulation to detailing where applicable
9. ClassicBond Water Cut Off Mastic compression seal
10. Coping Stone on mortar bed
11. Reinforced Universal Secure Strip (RUSS)
12. Suitable Fastener with 50mm Seam Plates

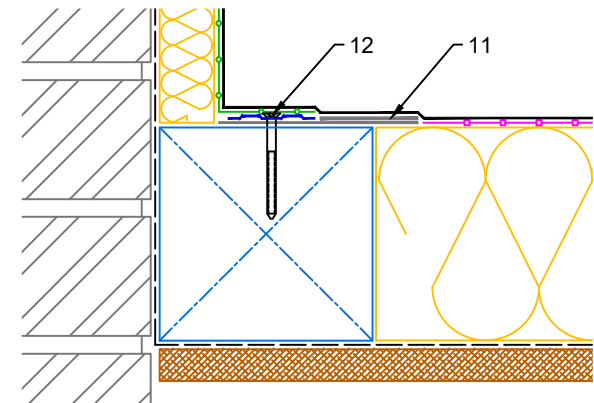


Diagram 2

Notes:

1. This detail was prepared to serve as a guideline representing typical detailing conditions and illustrate the correct application of ClassicBond products only. It may be necessary to modify this detail in whole or part in accordance with specific project conditions, design or requirements.
2. Acrylic Decking Adhesive is for timber substrates only, all other suitable surfaces use ClassicBond Bonding Adhesive.
3. If 75mm field seam turns up through angle change install PS cover patch using 225mm uncured EPDM tape.
4. Alternate fixing detail for RUSS as shown in diagram 2.
5. The maximum inside angle change before RUSS is required should be no more than 9.5°.



Title COPING STONE DETAIL	
Product CB-W-3	

A	03.02.14	PRODUCTION Issue
Rev	Date	Comments

Drawn	Checked	Approved	Scale	Date
MFO	DW	DW	1: 4@A4	03.02.14
Status PRODUCTION				
Drawing No: CB/W/3				Rev: B